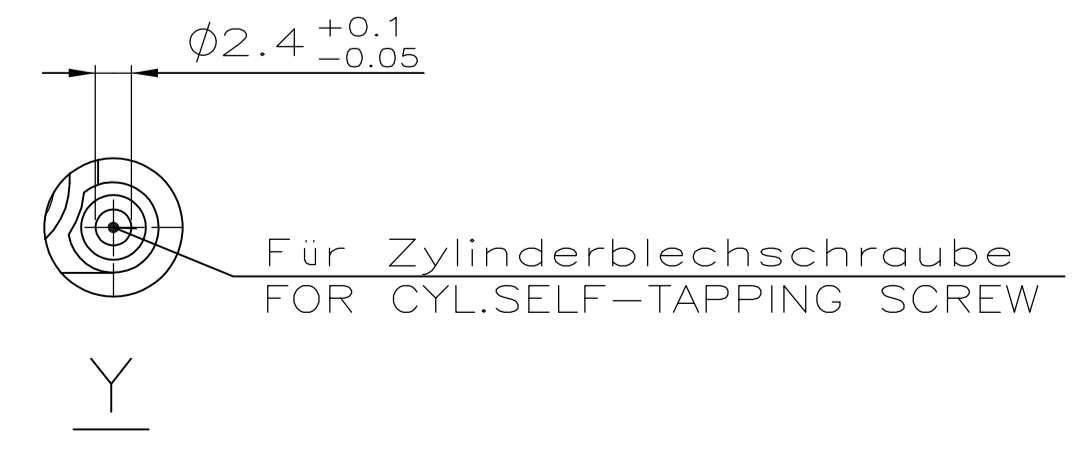
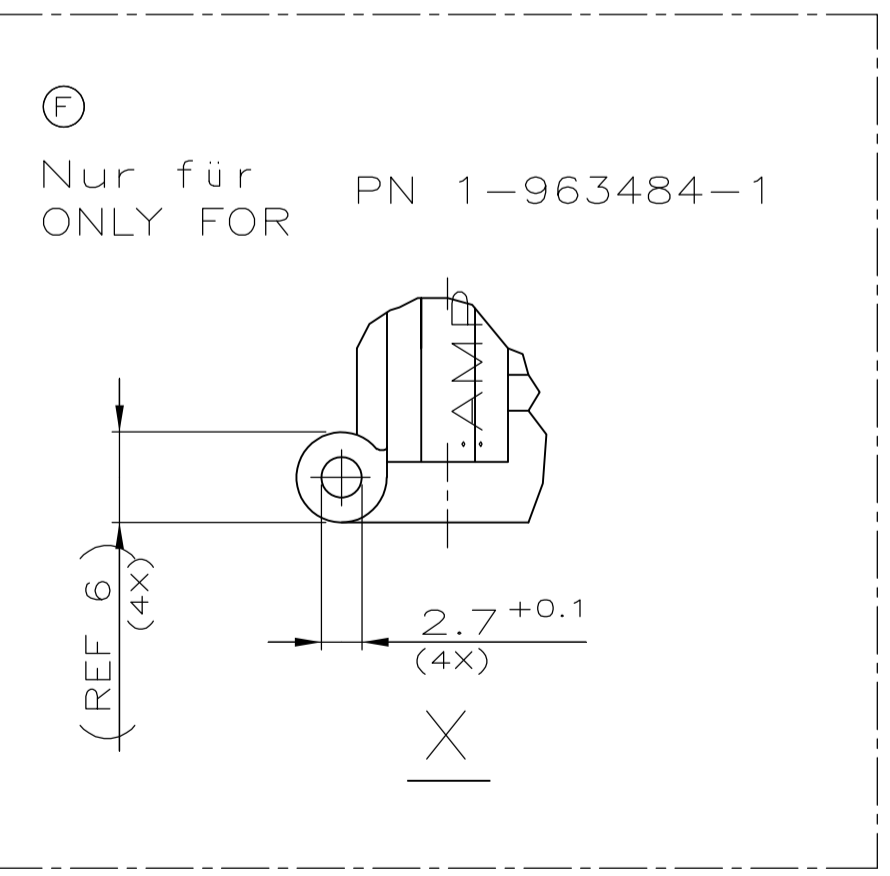
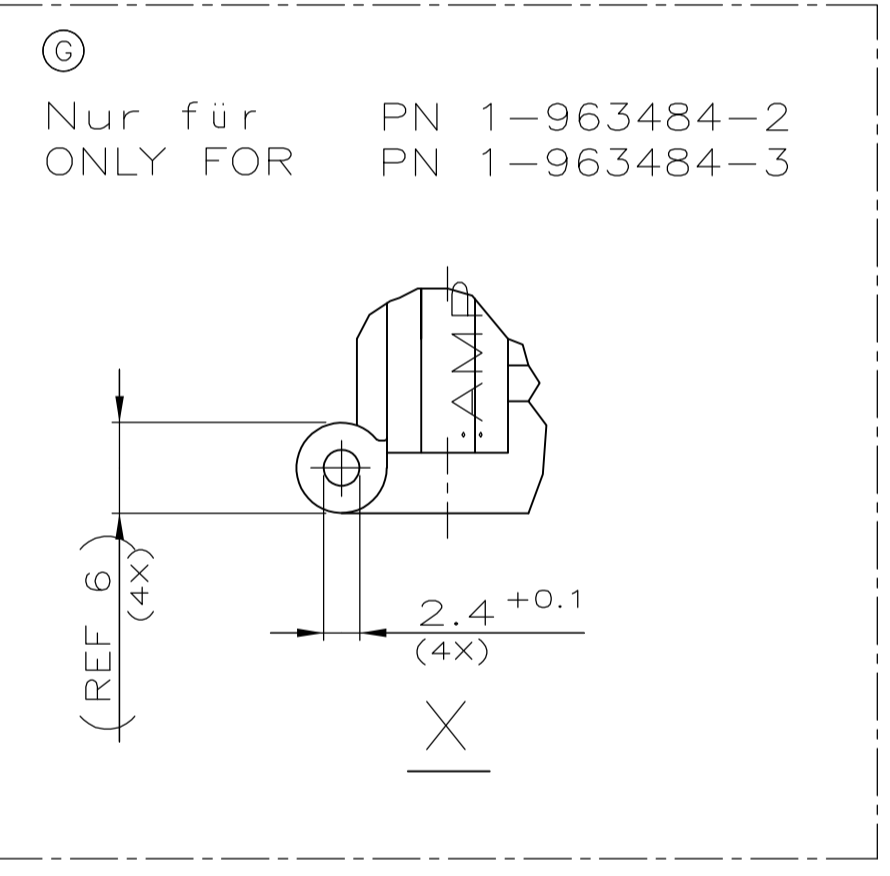
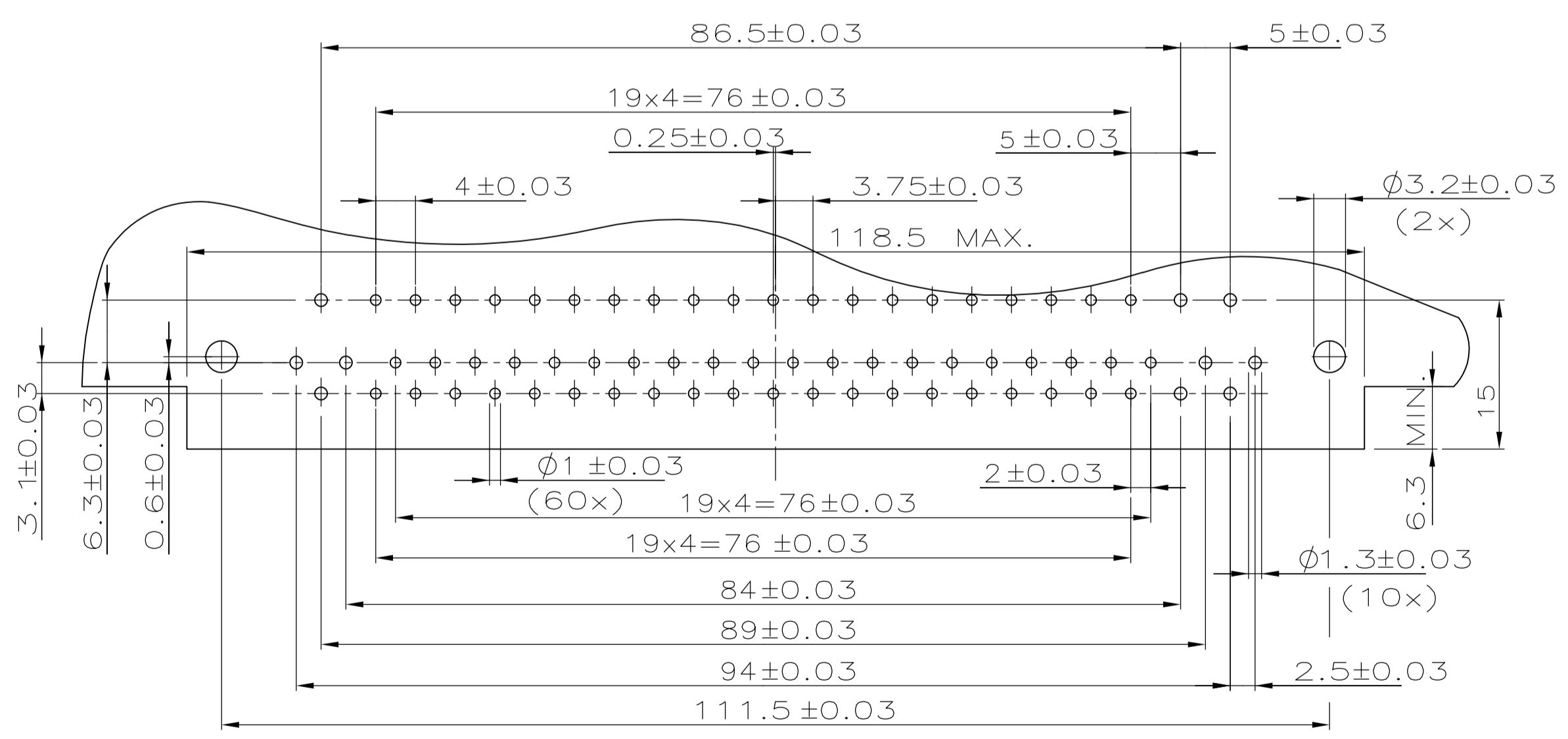


Leiterplattenlochbild für 90° + 270° Version
PCB-LAYOUT FOR 90° + 270° VERSION



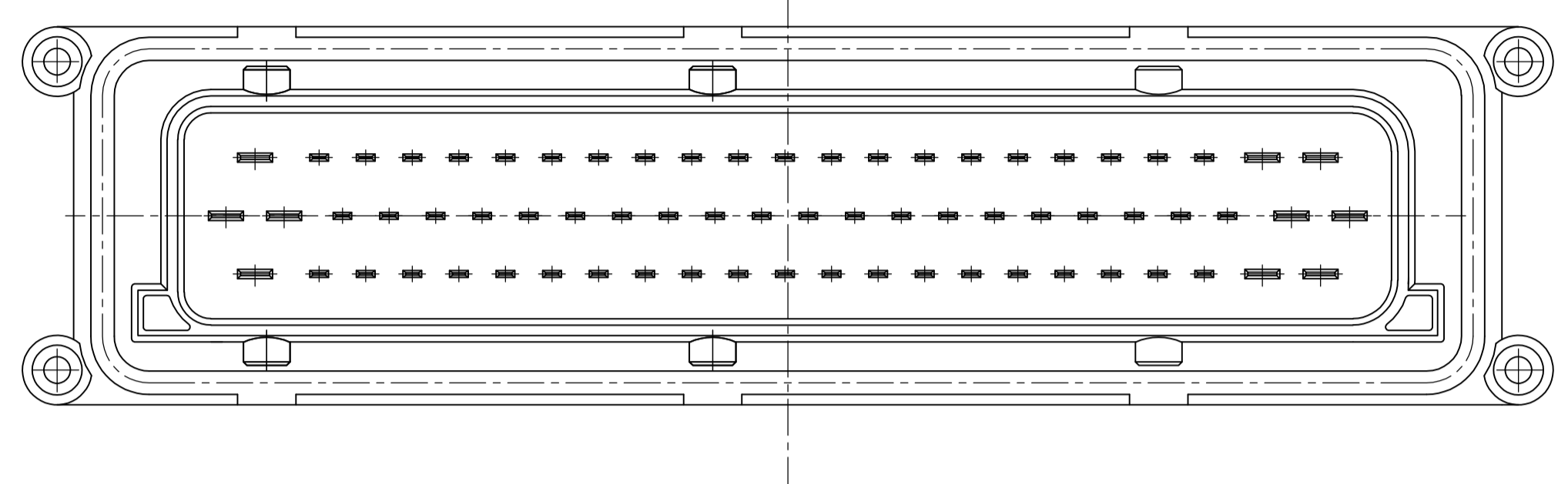
PARTS LIST SEE SHEET 2

BESTELL-NR.		REV.	POS.	STÜCK	BENENNUNG EINZELTEIL	WERKSTOFF	OBERFLÄCHE FARBE
MATERIAL		FINISH / OBERFLÄCHE / FARBE					

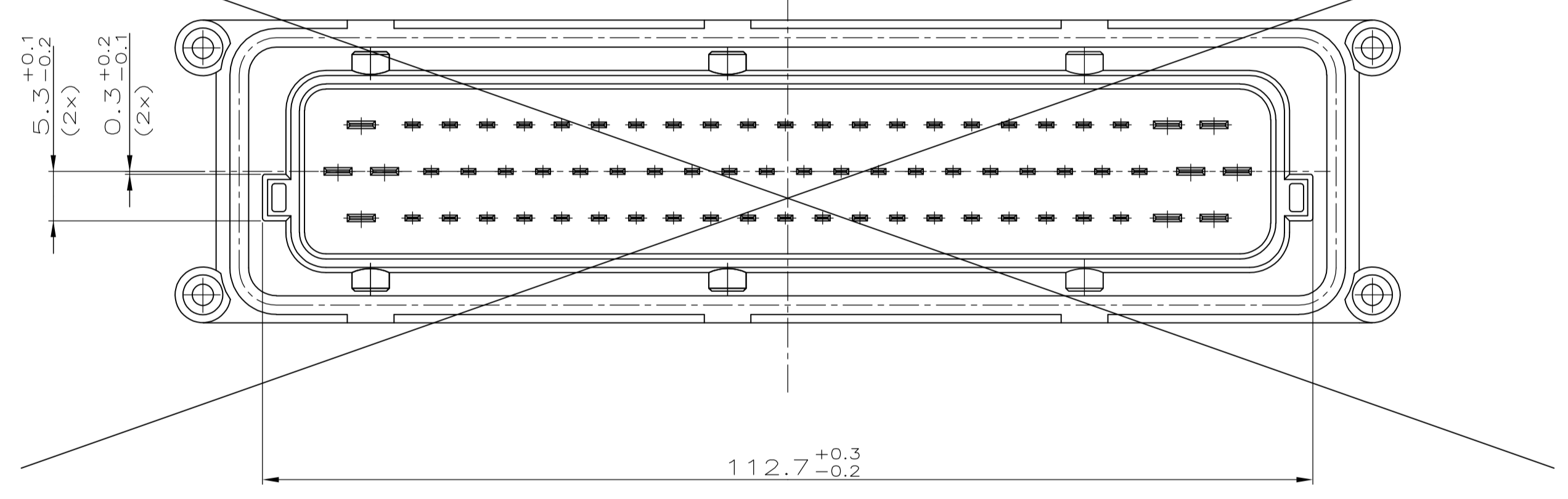
THIS DRAWING IS A CONTROLLED DOCUMENT. DIESE ZEICHNUNG IST EIN KONTROLLIERTES DOKUMENT.		DIN M.Kressmann 02.11.93
DIMENSIONS: MASSEINHEITEN: mm		05.11.93
TOLERANCES UNLESS OTHERWISE SPECIFIED: ALLIGERINTOLERANZEN		
0 PLC	±	
1 PLC	±	0.3 mm
2 PLC	±	
3 PLC	±	
4 PLC	±	
ANGLES / WINKEL		
FINISH / OBERFLÄCHE / FARBE		

ZEICHNUNG GÜLTIG AB		NAME	
M.Kressmann		H. Rouda	
TE Connectivity		TAB HEADER, 70 POS.	
SIZE	CAGE CODE	DRAWING NO	RESTRICTED TO
A1	00779	963484	MUR FÜR
CUSTOMER DRAWING / KUNDENZEICHNUNG		SCALE	REV
		MASSSTAB 2:1	G2

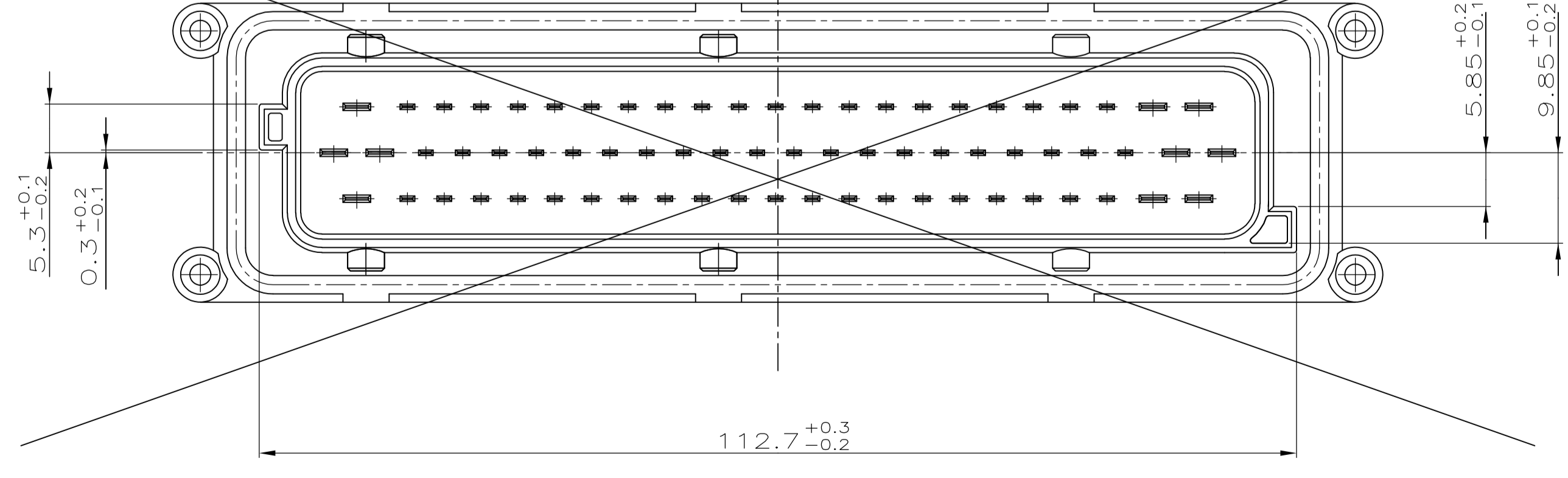
8 CODING A1



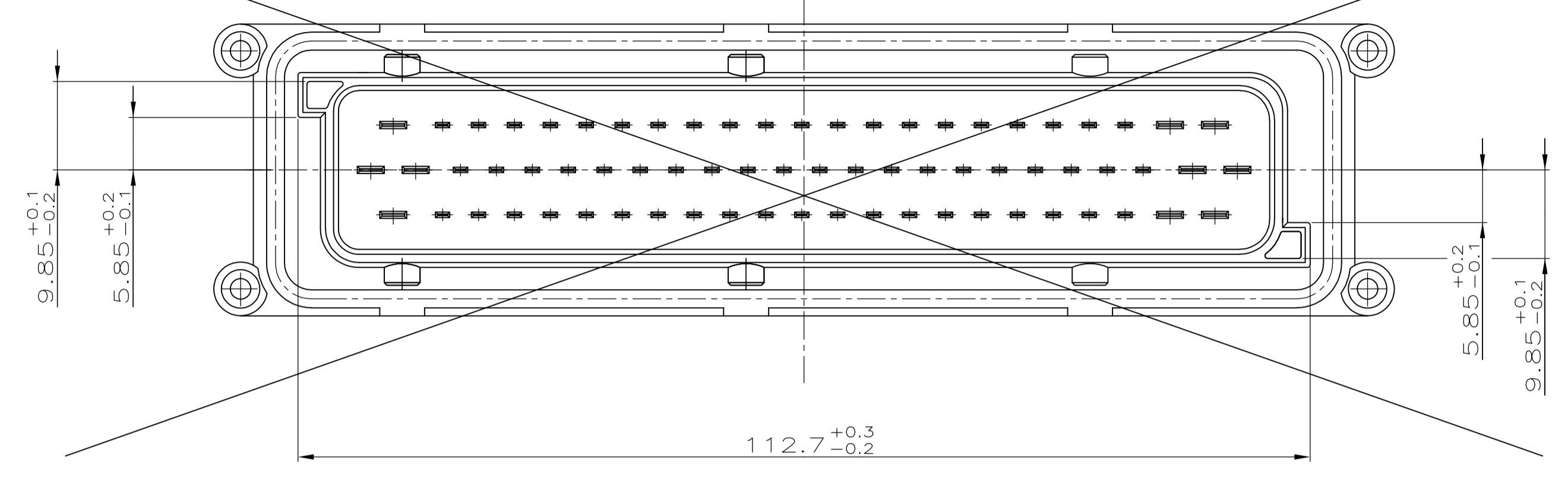
9 CODING B1



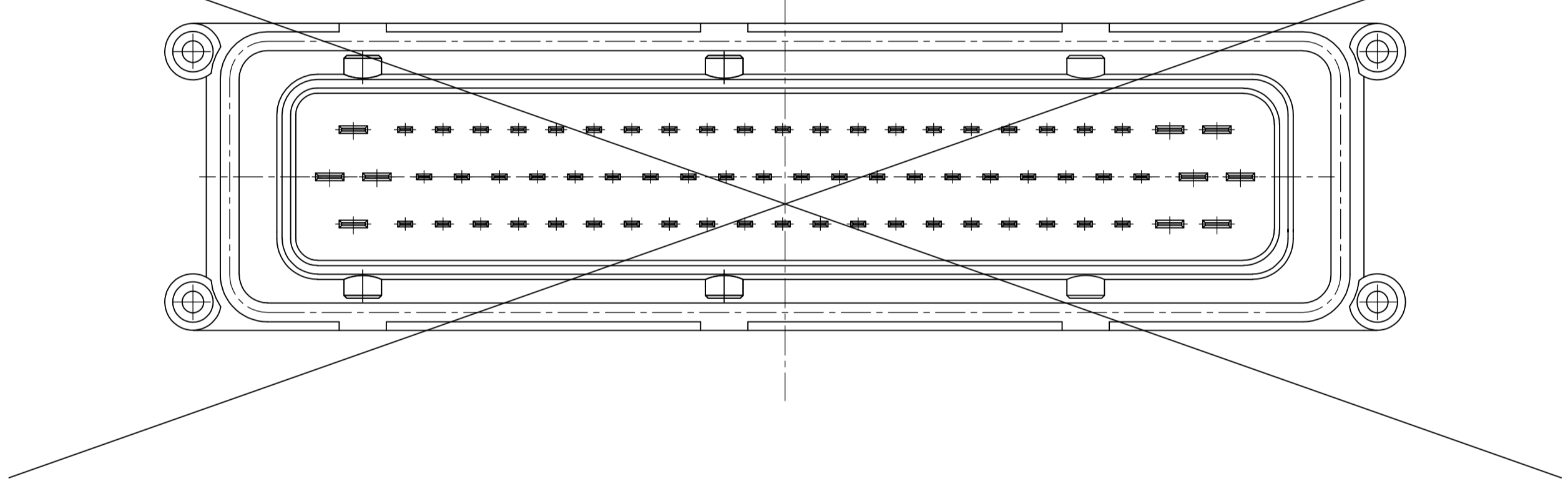
10 CODING C1



11 CODING D1



12 CODING N



5-963484-1	D	12	1	TAB HEADER CODE N	PBT GF30	WHITE								
		COMPONENTS 1-7, EQUIVALENT TO COMPONENTS OF PN 1-963484-1												
		4-963484-1	D	11	1	TAB HEADER CODE D1	PBT GF30	BROWN						
				COMPONENTS 1-7, EQUIVALENT TO COMPONENTS OF PN 1-963484-1										
				3-963484-1	D	10	1	TAB HEADER CODE C1	PBT GF30	BLUE				
						COMPONENTS 1-7, EQUIVALENT TO COMPONENTS OF PN 1-963484-1								
						2-963484-1	D	9	1	TAB HEADER CODE B1	PBT GF30	GREY		
								COMPONENTS 1-7, EQUIVALENT TO COMPONENTS OF PN 1-963484-1						
								1-963484-3	A	8	1	TAB HEADER CODE A1	PBT GF30	BLACK
										7	1	CENTERING-PLATE	PBT GF30	BLACK
										6	3	TAB 3mm	CuSn4	PRE-TIN PLATED
										5	4	TAB 3mm	CuSn4	PRE-TIN PLATED
4	3									TAB 3mm	CuSn4	PRE-TIN PLATED		
3	20									TAB 1.6mm	CuSn4	PRE-TIN PLATED		
2	20	TAB 1.6mm	CuSn4							PRE-TIN PLATED				
1	20	TAB 1.6mm	CuSn4							PRE-TIN PLATED				
1-963484-2	F	8	1	TAB HEADER CODE A1	PBT GF30					BLACK				
		7	1	CENTERING-PLATE	PBT GF30					BLACK				
		6	3	TAB 3mm	CuSn4	PRE-TIN PLATED								
		5	4	TAB 3mm	CuSn4	PRE-TIN PLATED								
		4	3	TAB 3mm	CuSn4	PRE-TIN PLATED								
		3	20	TAB 1.6mm	CuSn4	PRE-TIN PLATED								
		2	20	TAB 1.6mm	CuSn4	PRE-TIN PLATED								
		1	20	TAB 1.6mm	CuSn4	PRE-TIN PLATED								
		1-963484-1	F	8	1	TAB HEADER CODE A1	PBT GF30	BLACK						
				7	1	CENTERING-PLATE	PBT GF30	BLACK						
				6	3	TAB 3mm	CuSn4	PRE-TIN PLATED						
				5	4	TAB 3mm	CuSn4	PRE-TIN PLATED						
4	3			TAB 3mm	CuSn4	PRE-TIN PLATED								
3	20			TAB 1.6mm	CuSn4	PRE-TIN PLATED								
2	20			TAB 1.6mm	CuSn4	PRE-TIN PLATED								
1	20			TAB 1.6mm	CuSn4	PRE-TIN PLATED								
BESTELL-NR.	REV.			POS.	STÜCK	BENENNUNG EINZELTEIL	WERKSTOFF	OBERFLÄCHE FARBE						

THIS DRAWING IS A CONTROLLED DOCUMENT. DIESE ZEICHNUNG IST EIN KONTROLLIERTES DOKUMENT.

DIMENSIONS: MASSEINHEITEN: mm. TOLERANCES UNLESS OTHERWISE SPECIFIED: ALLIGERENTOLERANZEN.

0 PLC ± -
1 PLC ± 0.3 mm
2 PLC ± -
3 PLC ± -
4 PLC ± -

ANGLES / WINKEL: ° - ± -
FINISH / OBERFLÄCHE / FARBE: -

MATERIAL: PBT GF30

REVISIONS: Buxbaum 17-JUL-95, A.Machill 17-JUL-95

NAME: TAB HEADER, 70 POS.

SIZE: A1. CASE CODE: 00779. DRAWING NO: 963484. ZECHNUNGS-NR: 963484.

RESTRICTED TO: -

CUSTOMER DRAWING / KUNDENZEICHNUNG. SCALE: MASSSTAB 2:1. SHEET: 2 von 2. REV: G2.